



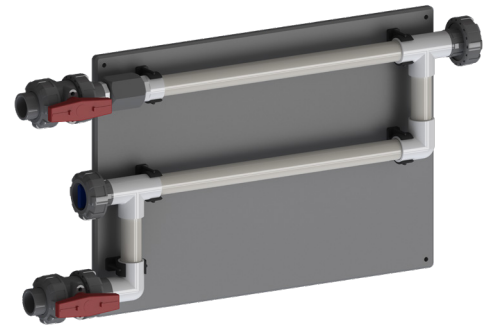
Cooling Tower Control & Dosing

ASTM PVC Corrosion Coupon Racks

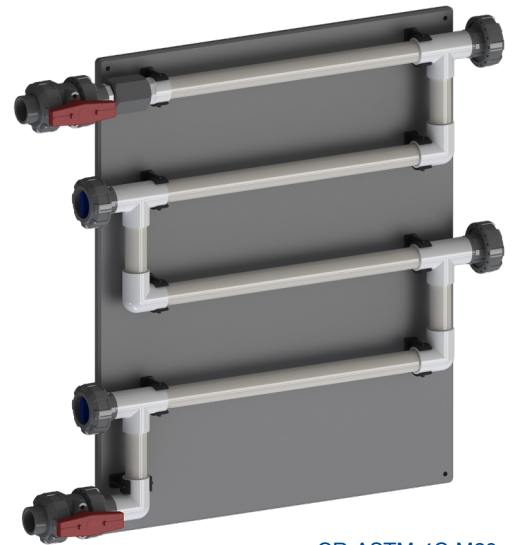
Ordering Code	Description
CR-ASTM-2C-M20-04	PVC Corrosion Coupon Rack to ASTM Dimensions & Flow Specification, 500x345mm backboard, True Union ball valves in & out, 20 l/min $\pm 20\%$ fixed flow rate between 45-500 kPa differential pressure, incl 2 quick release coupon holders.
CR-ASTM-2C-M20-10	As above, but 20 l/min $\pm 10\%$ fixed flow rate between 140-1000 kPa differential pressure.
CR-ASTM-4C-M20-04	PVC Corrosion Coupon Rack to ASTM Dimensions & Flow Specification, 500x600mm backboard, True Union ball valves in & out, 20 l/min $\pm 20\%$ fixed flow rate between 45-500 kPa differential pressure, incl 4 quick release coupon holders.
CR-ASTM-4C-M20-10	As above, but 20 l/min $\pm 10\%$ fixed flow rate between 140-1000 kPa differential pressure.

Features & Benefits

- Compliant to ASTM D2688 specification for Dimensions and Flow – Standard Test Method for Corrosivity of Water in the Absence of Heat Transfer (Weight Loss Method)
- Mounted on PVC backboard for easy installation
- True Union ball valves fitted on the inlet and outlet for easy isolation of flow when removing coupons, and for easy retrieval of coupons when they become detached from holder.
- Flow maintained at a fixed rate during a wide range of differential pressure across the inlet and outlet of the rack
- Included are the new improved and strengthened quick release coupon holders.



CR-ASTM-2C-M20



CR-ASTM-4C-M20

Recommendations

- Install the rack so that the outlet runs to atmosphere, ideally to the tower basin
- Download a copy of ASTM D2688 from: www.astm.org/Standards/D2688.htm

Recommended Spare Parts & Consumables

Ordering Code	Description
SP-CHSK	Nylon Screw (M4x10mm), nut & washer set for Corrosion Coupon Holder - 10 Pack
SP-CHSK-100PK	Nylon Screw (M4x10mm), nut & washer set for Corrosion Coupon Holder - 100 Pack
SP-CH-A-HOLDER-LG	Corrosion Coupon Holder. Does not include Barrel Union Lockring
SP-CH-A-UNIONRING	Grey Barrel Union Lockring for SP-CH-A-HOLDER quick release coupon holder. Includes replacement O-ring

ver 1.1