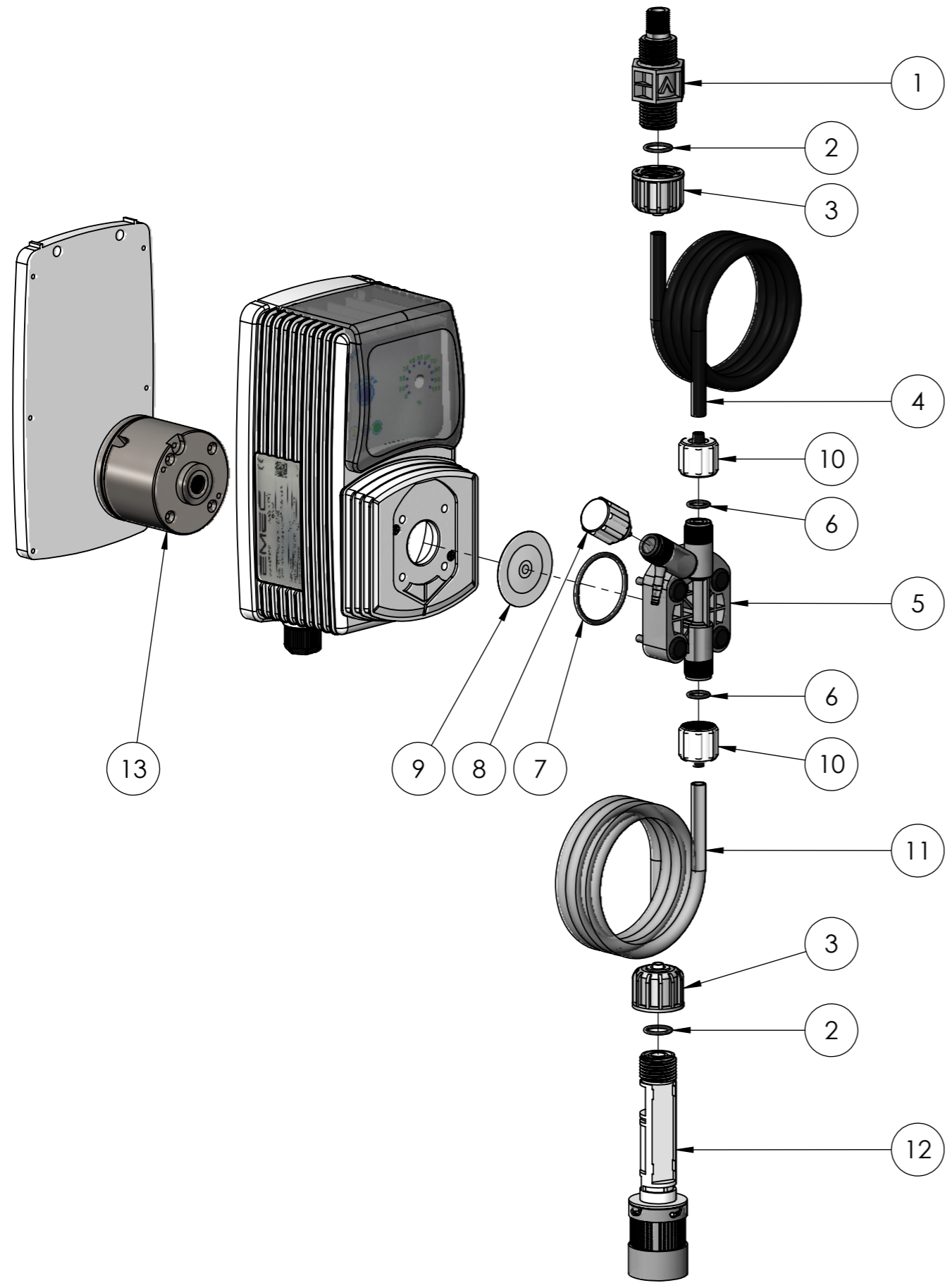



1 2 3 4 5 6 7 8

A B C D E F



ITEM NO.	PRODUCT CODE	DESCRIPTION
1	EMEC 073.1492.1	Injection valve 1/2". Includes tube connection kit and O-ring
2	EMEC 026.0143.0	O-ring EPDM for 1/2" valve
3	EMEC 025.1678.1	Tube connection kit (1/2" Female thread, for 6x8 tube) White
4	SP-TB-0806B-001	Delivery tubing Black (1 metre roll, 8mm OD/6mm ID)
5	EMEC 020.2354.1	Pump head PP. Includes EPDM head O-ring, 3/8" Tube connection kits and Manual venting valve. Suits 6x8 Tubing
6	EMEC 026.0045.0	O-ring EPDM for 3/8" valve
7	EMEC 026.0007.0	Head O-ring EPDM
8	EMEC 025.0895.1	Manual venting valve
9	EMEC 018.0001.0	Teflon diaphragm
10	EMEC 025.1464.1	Tube connection kit (3/8" Female thread for 6x8) White
11	SP-TB-0806N-001	Suction tubing Natural (1 metre roll, 8mm OD/6mm ID)
12	EMEC 074.0707.1	Foot valve with weight/filter, includes tube connection kit and O-ring
13	EMEC 010.0605.1	Solenoid for VCO 02 15 EP
	EMEC 002.2667.1T	Replacement circuit board

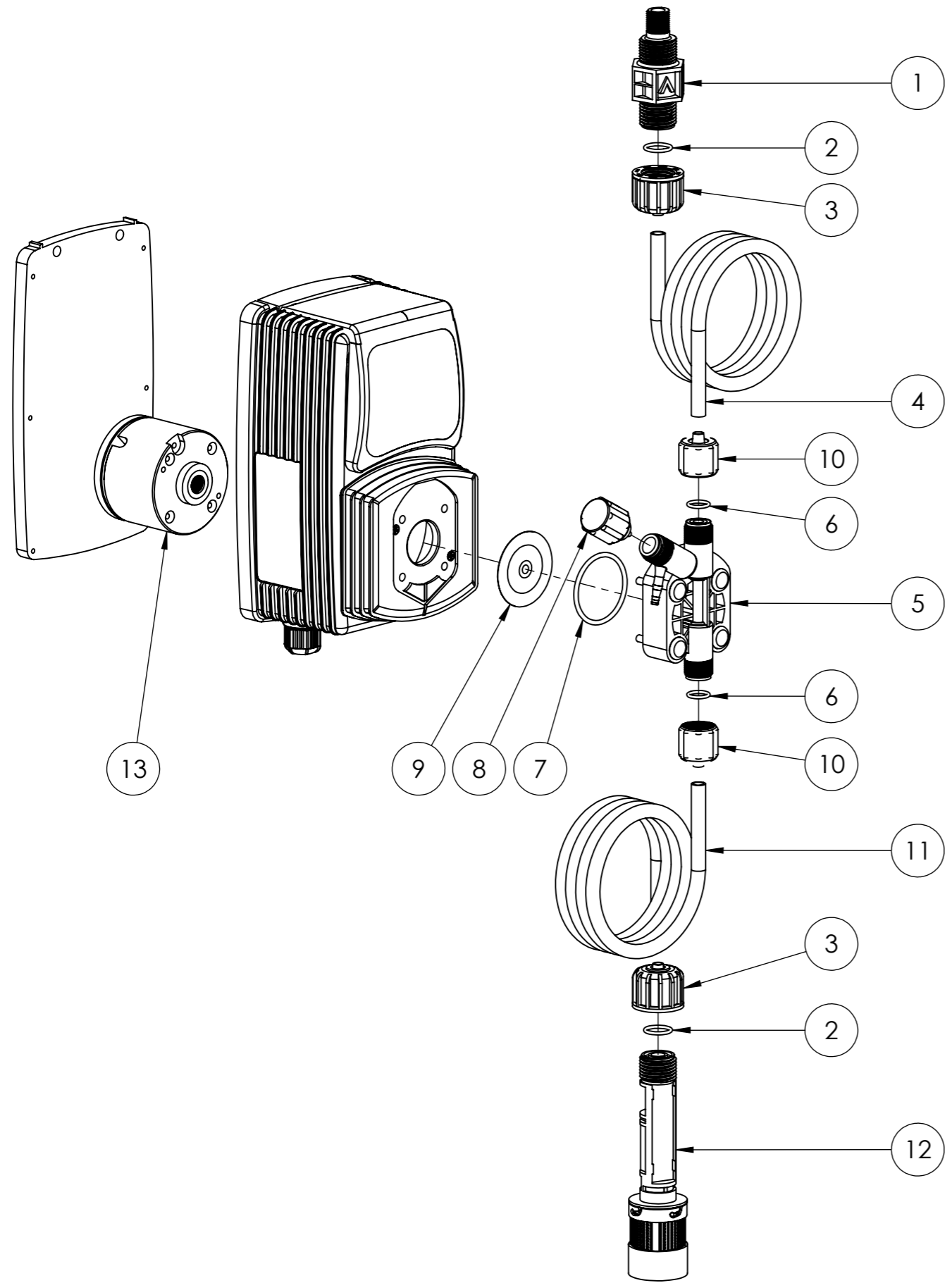
COMPATIBLE MODELS	
EMEC VCO 02 15 PP EP SS	EMEC VCO 02 17 PP EP SS

	PRODUCT: EMEC VCO 02 15 PP EP SS	Revision 1
	DRAWING TYPE: Spare Parts	SHEET SIZE A3
DATE: 27/08/2020 Details: Release Information ISSUED BY: LF APPROVED BY: LF	DRAWING No: EMEC VCO 02 15 PP EP SS_ASM	SHEET 1 OF 1
NOTE: Only use written dimensions. Dimensions are in Millimeters unless otherwise specified. If in doubt consult with Convergent Water Controls	COPYRIGHT: The designs, concepts & specifications within this drawing are the property of Convergent Water Controls Pty Ltd. They must not be copied or reproduced wholly or in part without written consent from Convergent Water Controls Pty Ltd.	SCALE 1:3
FILE: C:\CWC\Library\Products From Suppliers\EMEC\Pumps\V-Series\EMEC V Series Pump	MASS: 1736.58 grams	
MATERIAL: Misc		

1 2 3 4

1 2 3 4 5 6 7 8

A B C D E F



ITEM NO.	PRODUCT CODE	DESCRIPTION
1	EMEC 073.1492.1	Injection valve 1/2". Includes tube connection kit and O-ring
2	EMEC 026.0143.0	O-ring EPDM for 1/2" valve
3	EMEC 025.1678.1	Tube connection kit (1/2" Female thread, for 6x8 tube) White
4	SP-TB-0806B-001	Delivery tubing Black (1 metre roll, 8mm OD/6mm ID)
5	EMEC 020.2354.1	Pump head PP. Includes EPDM head O-ring, 3/8" Tube connection kits and Manual venting valve. Suits 6x8 Tubing
6	EMEC 026.0045.0	O-ring EPDM for 3/8" valve
7	EMEC 026.0007.0	Head O-ring EPDM
8	EMEC 025.0895.1	Manual venting valve
9	EMEC 018.0001.0	Teflon diaphragm
10	EMEC 025.1464.1	Tube connection kit (3/8" Female thread for 6x8) White
11	SP-TB-0806N-001	Suction tubing Natural (1 metre roll, 8mm OD/6mm ID)
12	EMEC 074.0707.1	Foot valve with weight/filter, includes tube connection kit and O-ring
13	EMEC 010.0605.1	Solenoid for VCO 02 15 EP
	EMEC 002.2667.1T	Replacement circuit board

COMPATIBLE MODELS	
EMEC VCO 02 15 PP EP SS	EMEC VCO 02 17 PP EP SS

	PRODUCT: EMEC VCO 02 15 PP EP SS	Revision 1
	DRAWING TYPE: Spare Parts - Wireframe	SHEET SIZE A3
DRAWING No: EMEC VCO 02 15 PP EP SS_ASM	DATE Details ISSUED BY APPROVED BY 27/08/2020 Release Information LF LF	SHEET 1 OF 1
NOTE Only use written dimensions. Dimensions are in Millimeters unless otherwise specified. If in doubt consult with Convergent Water Controls	COPYRIGHT The designs, concepts & specifications within this drawing are the property of Convergent Water Controls Pty Ltd. They must not be copied or reproduced wholly or in part without written consent from Convergent Water Controls Pty Ltd.	SCALE 1:3
FILE: C:\CWC\Library\Products From Suppliers\EMEC\Pumps\V-Series\EMEC V Series Pump	MATERIAL: Misc	MASS: 1736.58 grams

1 2 3 4