

ITEM NO.	PART NUMBER	DESCRIPTION
1	EMEC 073.4679.1	Injection valve 3/4" 8x12 FP. Includes tube connection kit and O-ring
1A	EMEC 073.4675.1	Injection valve 1/2" 8x12 FP. Includes tube connection kit and O-ring for PRISMA 05 28
2	EMEC 026.0371.0	O-ring Viton for 3/4" valve for PRISMA 04 50 & 02 80
2A	EMEC 026.0150.0	O-ring Viton for 1/2" valve for PRISMA 05 28
3	EMEC 110.1098.1	Tube connection kit PVDF (3/4" Female thread, for 8x12 tube) for PRISMA 04 50 & 02 80
3A	EMEC 110.1100.1	Tube connection kit PVDF (1/2" Female thread, for 8x12 tube) for PRISMA 05 28
4	EMEC 059.0612.0	Delivery tubing Black (12mm OD/8mm ID)
5	EMEC 110.1100.1	Tube connection kit PVDF (1/2" Female thread, for 8x12 tube)
6	EMEC 026.0150.0	O-ring Viton for 1/2" valve
7	EMEC 025.0894.1	Manual venting valve
8	EMEC 020.2446.1	Pump head N for Prisma 05 28 PVDF + FP 8x12mm (Includes all valves, tube connection kits and head O-ring)
8A	EMEC 020.2605.1	Pump head N for Prisma PVDF + FP 8x12mm (Includes all valves, tube connection kits and head O-ring) for PRISMA 04 50 & 02 80
9	EMEC 026.0220.0	Head O-ring Viton
10	EMEC 018.0022.0	Teflon Diaphragm
11	EMEC 059.0004.0	Suction tubing Transparent per Metre (12mm OD/8mm ID)
12	EMEC 076.0735.1	Foot valve with weight/filter, includes reed switch, tube connection kit and O-ring
13	EMEC 076.0051.1	Replacement PVDF Reed switch with cable and plug for foot valve (Includes Level Float and Clip)
14	EMEC 074.0749.1	Replacement Foot valve with Weight, Filter and Tube connection kit 8x12 FP, Excludes EMEC 076.0149.1 Level kit
15	EMEC 110.1102.1	Tube connection kit PVDF (1/2" Female thread, for 8x12 tube)

COMPATIBLE MODELS	
EMEC PRISMA 04 50 FP	EMEC PRISMA 05 28 FP



PRODUCT: EMEC PRISMA 02 80 FP

DRAWING TYPE: Spare Parts

DRAWING No: EMEC PRISMA 02 80 FP_ASM

COPYRIGHT: The designs, concepts & specifications within this drawing are the property of Convergent Water Controls Pty Ltd. They must not be copied or reproduced wholly or in part without written consent from Convergent Water Controls Pty Ltd.

DATE	Details	ISSUED BY	APPROVED BY
18/01/2024	Release Information	Admin	Admin

NOTE: Only use written dimensions. Dimensions are in Millimeters unless otherwise specified. Do not scale. If in doubt consult with Convergent Water Controls

FILE: C:\CWC\Library\Products From Suppliers\EMEC\Pumps\Prisma\EMEC PRISMA

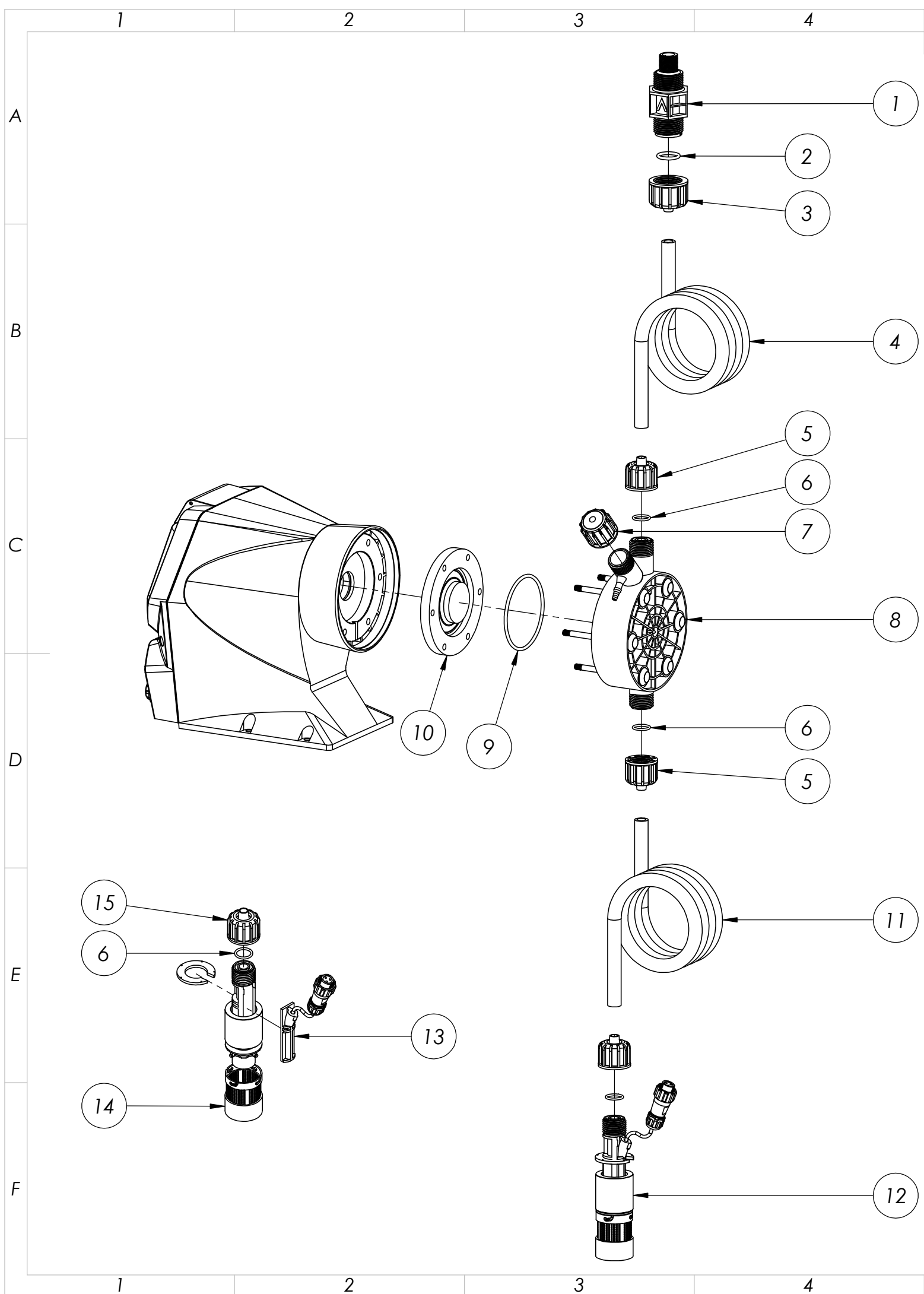
MATERIAL: Misc

Revision: 3

SHEET SIZE: A3

SHEET: 1 OF 1

SCALE: 1:4



ITEM NO.	PART NUMBER	DESCRIPTION
1	EMEC 073.4679.1	Injection valve 3/4" 8x12 FP. Includes tube connection kit and O-ring
1A	EMEC 073.4675.1	Injection valve 1/2" 8x12 FP. Includes tube connection kit and O-ring for PRISMA 05 28
2	EMEC 026.0371.0	O-ring Viton for 3/4" valve for PRISMA 04 50 & 02 80
2A	EMEC 026.0150.0	O-ring Viton for 1/2" valve for PRISMA 05 28
3	EMEC 110.1098.1	Tube connection kit PVDF (3/4" Female thread, for 8x12 tube) for PRISMA 04 50 & 02 80
3A	EMEC 110.1100.1	Tube connection kit PVDF (1/2" Female thread, for 8x12 tube) for PRISMA 05 28
4	EMEC 059.0612.0	Delivery tubing Black (12mm OD/8mm ID)
5	EMEC 110.1100.1	Tube connection kit PVDF (1/2" Female thread, for 8x12 tube)
6	EMEC 026.0150.0	O-ring Viton for 1/2" valve
7	EMEC 025.0894.1	Manual venting valve
8	EMEC 020.2446.1	Pump head N for Prisma 05 28 PVDF + FP 8x12mm (Includes all valves, tube connection kits and head O-ring)
8A	EMEC 020.2605.1	Pump head N for Prisma PVDF + FP 8x12mm (Includes all valves, tube connection kits and head O-ring) for PRISMA 04 50 & 02 80
9	EMEC 026.0220.0	Head O-ring Viton
10	EMEC 018.0022.0	Teflon Diaphragm
11	EMEC 059.0004.0	Suction tubing Transparent per Metre (12mm OD/8mm ID)
12	EMEC 076.0735.1	Foot valve with weight/filter, includes reed switch, tube connection kit and O-ring
13	EMEC 076.0051.1	Replacement PVDF Reed switch with cable and plug for foot valve (Includes Level Float and Clip)
14	EMEC 074.0749.1	Replacement Foot valve with Weight, Filter and Tube connection kit 8x12 FP, Excludes EMEC 076.0149.1 Level kit
15	EMEC 110.1102.1	Tube connection kit PVDF (1/2" Female thread, for 8x12 tube)

COMPATIBLE MODELS	
EMEC PRISMA 04 50 FP	EMEC PRISMA 05 28 FP



PRODUCT: **EMEC PRISMA 02 80 FP**
 DRAWING TYPE: Spare Parts - Wireframe
 DRAWING No: **EMEC PRISMA 02 80 FP_ASM**
 COPYRIGHT: The designs, concepts & specifications within this drawing are the property of Convergent Water Controls Pty Ltd. They must not be copied or reproduced wholly or in part without written consent from Convergent Water Controls Pty Ltd.

DATE	Details	ISSUED BY	APPROVED BY
18/01/2024	Release Information	Admin	Admin

NOTE: Only use written dimensions. Dimensions are in Millimeters unless otherwise specified. Do not scale. If in doubt consult with Convergent Water Controls

FILE: C:\CWC\Library\Products From Suppliers\EMEC\Pumps\Prisma\EMEC PRISMA
 MATERIAL: Misc

Revision: 3
 SHEET SIZE: A3
 SHEET: 1 OF 1
 SCALE: 1:4