

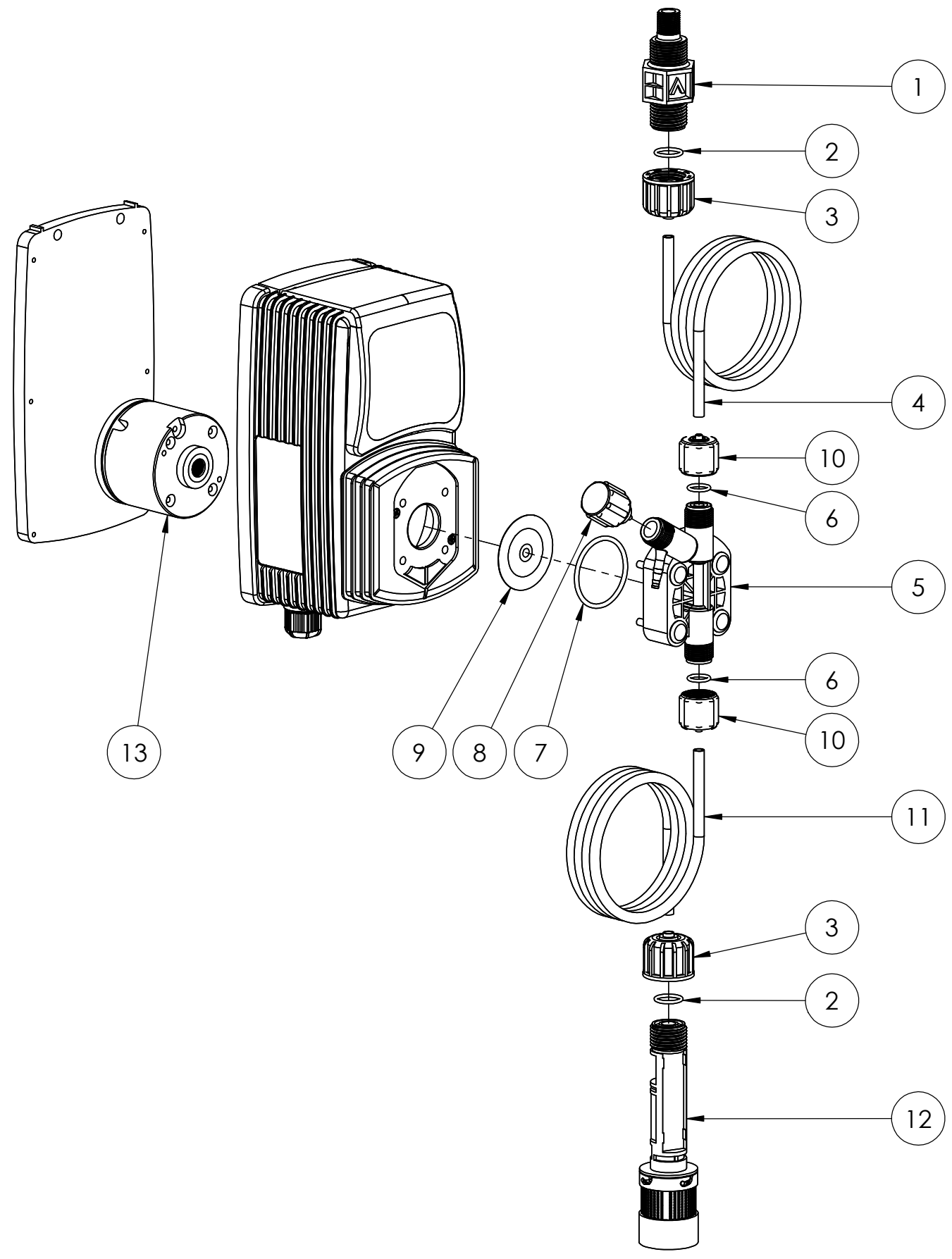
ITEM NO.	PRODUCT CODE	DESCRIPTION
1	EMEC 073.4735.1	Injection valve 1/2" 4x6 PP EP SS. Includes tube connection kit and O-ring
2	EMEC 026.0143.0	O-ring EPDM for 1/2" valve
3	EMEC 110.0990.1	Tube connection kit PP (1/2" Female thread, for 4x6 tube)
4	SP-SK-02B-BK	Delivery tubing Black (2 metre roll, 6mm OD/4mm ID)
5	EMEC 020.2038.1	Pump head PVDF. Includes EPDM head O-ring, 3/8" Tube connection kits and Manual venting valve. Suits 4x6 Tubing
6	EMEC 026.0045.0	O-ring EPDM for 3/8" valve
7	EMEC 026.0007.0	Head O-ring EPDM
8	EMEC 025.0895.1	Manual venting valve
9	EMEC 018.0001.0	Teflon diaphragm
10	EMEC 110.0982.1	Tube connection kit PP (3/8" Female thread for 4x6 tube)
11	SP-SK-02A	Suction tubing Transparent (2 metre roll, 6mm OD/4mm ID)
12	EMEC 074.0671.1	Foot valve with weight/filter, includes tube connection kit and O-ring
13	EMEC 010.0504.1	Solenoid for VCO 15 02 PP EP SS
13A	EMEC 010.0539.1	Solenoid for VCO 07 06 PP EP SS
13B	EMEC 010.0441.1	Solenoid for VCO 03 10 PP EP SS
	EMEC 002.2665.1T	Replacement circuit board
	EMEC 110.6699.1	Maintenance/Service kit. Includes complete pump head and O-ring, Injection valve and Foot valve(without weighted filter)

COMPATIBLE MODELS		
EMEC VCO 15 02 PP EP SS	EMEC VCO 07 06 PP EP SS	EMEC VCO 03 10 PP EP SS

	<b>PRODUCT:</b> EMEC VCO 15 02 PP EP SS	Revision 3
	<b>DRAWING TYPE:</b> Spare Parts	SHEET SIZE A3
<b>DRAWING No.:</b> EMEC VCO 15 02 PP EP SS_ASM	<b>DATE:</b> 7/11/2024 <b>Details:</b> Release Information <b>ISSUED BY:</b> <b>APPROVED BY:</b> Admin	SHEET 1 OF 1
<b>NOTE:</b> Only use written dimensions. Dimensions are in Millimeters unless otherwise specified. Do not scale. If in doubt consult with Convergent Water Controls	<b>COPYRIGHT:</b> The designs, concepts & specifications within this drawing are the property of Convergent Water Controls Pty Ltd. They must not be copied or reproduced wholly or in part without written consent from Convergent Water Controls Pty Ltd.	SCALE 1:3
<b>FILE:</b> C:\CWC\Library\Products From Suppliers\EMEC\Pumps\V-Series\EMEC V Series Pump	<b>MATERIAL:</b> Misc	<b>MASS:</b> 1737.09 grams

1 2 3 4 5 6 7 8

A  
B  
C  
D  
E  
F



ITEM NO.	PRODUCT CODE	DESCRIPTION
1	EMEC 073.4735.1	Injection valve 1/2" 4x6 PP EP SS. Includes tube connection kit and O-ring
2	EMEC 026.0143.0	O-ring EPDM for 1/2" valve
3	EMEC 110.0990.1	Tube connection kit PP (1/2" Female thread, for 4x6 tube)
4	SP-SK-02B-BK	Delivery tubing Black (2 metre roll, 6mm OD/4mm ID)
5	EMEC 020.2038.1	Pump head PVDF. Includes EPDM head O-ring, 3/8" Tube connection kits and Manual venting valve. Suits 4x6 Tubing
6	EMEC 026.0045.0	O-ring EPDM for 3/8" valve
7	EMEC 026.0007.0	Head O-ring EPDM
8	EMEC 025.0895.1	Manual venting valve
9	EMEC 018.0001.0	Teflon diaphragm
10	EMEC 110.0982.1	Tube connection kit PP (3/8" Female thread for 4x6 tube)
11	SP-SK-02A	Suction tubing Transparent (2 metre roll, 6mm OD/4mm ID)
12	EMEC 074.0671.1	Foot valve with weight/filter, includes tube connection kit and O-ring
13	EMEC 010.0504.1	Solenoid for VCO 15 02 PP EP SS
13A	EMEC 010.0539.1	Solenoid for VCO 07 06 PP EP SS
13B	EMEC 010.0441.1	Solenoid for VCO 03 10 PP EP SS
	EMEC 002.2665.1T	Replacement circuit board
	EMEC 110.6699.1	Maintenance/Service kit. Includes complete pump head and O-ring, Injection valve and Foot valve(without weighted filter)

COMPATIBLE MODELS		
EMEC VCO 15 02 PP EP SS	EMEC VCO 07 06 PP EP SS	EMEC VCO 03 10 PP EP SS

	<b>PRODUCT:</b> EMEC VCO 15 02 PP EP SS	Revision 3								
	<b>DRAWING TYPE:</b> Spare Parts - Wireframe	SHEET SIZE A3								
<table border="1"> <tr> <th>DATE</th> <th>Details</th> <th>ISSUED BY</th> <th>APPROVED BY</th> </tr> <tr> <td>8/11/2024</td> <td>Release Information</td> <td></td> <td>Admin</td> </tr> </table>	DATE	Details	ISSUED BY	APPROVED BY	8/11/2024	Release Information		Admin	<b>DRAWING No.:</b> EMEC VCO 15 02 PP EP SS_ASM	SHEET 1 OF 1
DATE	Details	ISSUED BY	APPROVED BY							
8/11/2024	Release Information		Admin							
<b>NOTE</b> Only use written dimensions. Dimensions are in Millimeters unless otherwise specified. Do not scale. If in doubt consult with Convergent Water Controls	<b>COPYRIGHT</b> The designs, concepts & specifications within this drawing are the property of Convergent Water Controls Pty Ltd. They must not be copied or reproduced wholly or in part without written consent from Convergent Water Controls Pty Ltd.	SCALE 1:3								
FILE: C:\CWC\Library\Products From Suppliers\EMEC\Pumps\V-Series\EMEC V Series Pump	MATERIAL: Misc	MASS: 1737.09 grams								

1 2 3 4