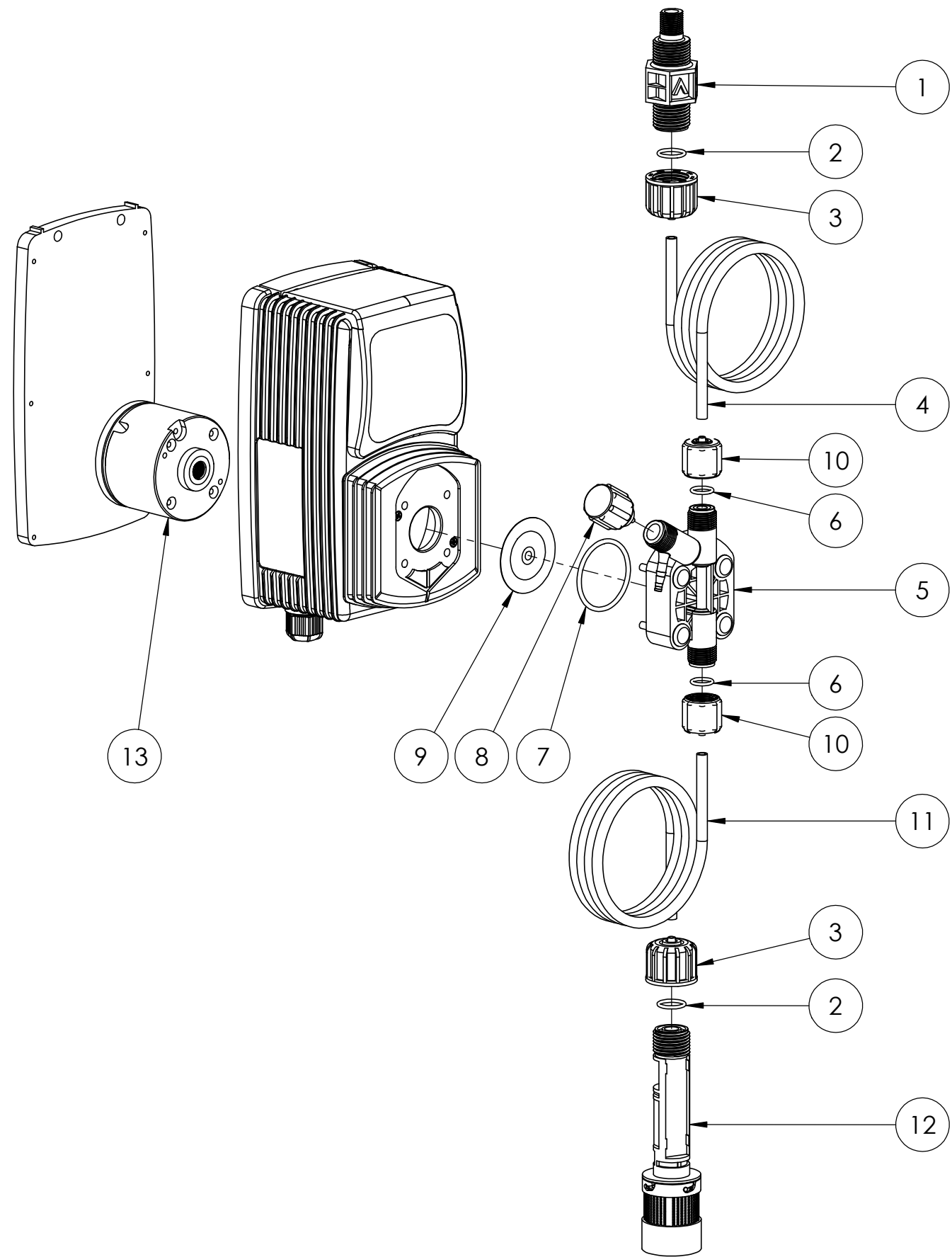


ITEM NO.	PRODUCT CODE	DESCRIPTION
1	EMEC 073.1065.1	Injection valve 1/2". includes tube connection kit and O-ring
2	EMEC 026.0143.0	O-ring EPDM for 1/2" valve
3	EMEC 110.6844.1	Tube connection kit PVDF (1/2" Female thread, for 4x6 tube)
4	SP-SK-02B-BK	Delivery tubing Black (2 metre roll, 6mm OD/4mm ID)
5	EMEC 020.0988.1	Pump head PVDF. Includes EPDM head O-ring, 3/8" Tube connection kits and Manual venting valve. Suits 4x6 Tubing
6	EMEC 026.0045.0	O-ring EPDM for 3/8" valve
7	EMEC 026.0007.0	Head O-ring EPDM
8	EMEC 025.0895.1	Manual venting valve
9	EMEC 018.0001.0	Teflon diaphragm
10	EMEC 110.6843.1	Tube connection kit PVDF (3/8" Female thread for 4x6 tube)
11	SP-SK-02A	Suction tubing Transparent (2 metre roll, 6mm OD/4mm ID)
12	EMEC 074.0571.1	Foot valve with weight/filter, includes tube connection kit and O-ring
13	EMEC 010.0504.1	Solenoid for VCO 15 02 EP
13A	EMEC 010.0539.1	Solenoid for VCO 07 06 EP
13B	EMEC 010.0441.1	Solenoid for VCO 03 10 EP
	EMEC 002.2665.1T	Replacement circuit board
	EMEC 110.0624.1	Maintenance/Service kit. Includes complete pump head and O-ring, Injection valve and Foot valve (without weighted filter)

COMPATIBLE MODELS		
EMEC VCO 15 02 EP	EMEC VCO 07 06 EP	EMEC VCO 03 10 EP

	PRODUCT: EMEC VCO 15 02 EP	Revision 2
	DRAWING TYPE: Spare Parts	SHEET SIZE A3
DRAWING No.: EMEC VCO 15 02 EP_ASM		SHEET 1 OF 1
NOTE Only use written dimensions. Dimensions are in Millimeters unless otherwise specified. Do not scale. If in doubt consult with Convergent Water Controls	COPYRIGHT The designs, concepts & specifications within this drawing are the property of Convergent Water Controls Pty Ltd. They must not be copied or reproduced wholly or in part without written consent from Convergent Water Controls Pty Ltd.	SCALE 1:3
FILE: C:\CWC\Library\Products From Suppliers\EMEC\Pumps\V-Series\EMEC V Series Pump		
MATERIAL: Misc	MASS: 1737.09 grams	

DATE	Details	ISSUED BY	APPROVED BY
7/11/2024	Release Information		LF



ITEM NO.	PRODUCT CODE	DESCRIPTION
1	EMEC 073.1065.1	Injection valve 1/2". includes tube connection kit and O-ring
2	EMEC 026.0143.0	O-ring EPDM for 1/2" valve
3	EMEC 110.6844.1	Tube connection kit PVDF (1/2" Female thread, for 4x6 tube)
4	SP-SK-02B-BK	Delivery tubing Black (2 metre roll, 6mm OD/4mm ID)
5	EMEC 020.0988.1	Pump head PVDF. Includes EPDM head O-ring, 3/8" Tube connection kits and Manual venting valve. Suits 4x6 Tubing
6	EMEC 026.0045.0	O-ring EPDM for 3/8" valve
7	EMEC 026.0007.0	Head O-ring EPDM
8	EMEC 025.0895.1	Manual venting valve
9	EMEC 018.0001.0	Teflon diaphragm
10	EMEC 110.6843.1	Tube connection kit PVDF (3/8" Female thread for 4x6 tube)
11	SP-SK-02A	Suction tubing Transparent (2 metre roll, 6mm OD/4mm ID)
12	EMEC 074.0571.1	Foot valve with weight/filter, includes tube connection kit and O-ring
13	EMEC 010.0504.1	Solenoid for VCO 15 02 EP
13A	EMEC 010.0539.1	Solenoid for VCO 07 06 EP
13B	EMEC 010.0441.1	Solenoid for VCO 03 10 EP
	EMEC 002.2665.1T	Replacement circuit board
	EMEC 110.0624.1	Maintenance/Service kit. Includes complete pump head and O-ring, Injection valve and Foot valve (without weighted filter)

COMPATIBLE MODELS		
EMEC VCO 15 02 EP	EMEC VCO 07 06 EP	EMEC VCO 03 10 EP

	PRODUCT: EMEC VCO 15 02 EP	Revision 2								
	DRAWING TYPE: Spare Parts - Wireframe	SHEET SIZE A3								
DRAWING No.: EMEC VCO 15 02 EP_ASM	SHEET 1 OF 1	SCALE 1:3								
<table border="1"> <thead> <tr> <th>DATE</th> <th>Details</th> <th>ISSUED BY</th> <th>APPROVED BY</th> </tr> </thead> <tbody> <tr> <td>7/11/2024</td> <td>Release Information</td> <td>LF</td> <td>LF</td> </tr> </tbody> </table>	DATE	Details	ISSUED BY	APPROVED BY	7/11/2024	Release Information	LF	LF	NOTE Only use written dimensions. Dimensions are in Millimeters unless otherwise specified. Do not scale. If in doubt consult with Convergent Water Controls	
DATE	Details	ISSUED BY	APPROVED BY							
7/11/2024	Release Information	LF	LF							
FILE: C:\CWC\Library\Products From Suppliers\EMEC\Pumps\V-Series\EMEC V Series Pump		MASS: 1737.09 grams								