

CONDUCTIVITY PROBES

SS ELECTRODES

Data Sheet

STAINLESS STEEL ELECTRODES CONDUCTIVITY PROBES

Stainless steel conductivity electrodes with PVDF body .

They perform an accurate and reliable operativity into chemical environment. These electrodes are made for an easy maintenance, accurate reading and fast response.

R20922

Max
7 bar
60°C
2 bar
100°C
K 0.1 - 1

ECDI/K01-K1 - ECDCI/K01-K1 - ECDICPT/K01-K1-K02 ECDIM/K01-K1 - ECDICM/K01-K1 - ECDICMPT/K01-K1

MODELS

	ECDI/1	ECDI/01	ECDI/02	ECDIC/1	ECDIC/01	ECDICPT/1	ECDICPT/01	ECDICPT/02
Working Range	0-5 ms	0-200 µS	0-500 µS	0-5 ms	0-200 µS	0-5 ms	0-200 µS	0-500 µS
"K" Factor	1	0.1	0.2	1	0.1	1	0.1	0.2
Max pressure Max temperature	7 bar/60°C (2bar/100°C)	7 bar/60°C (2bar/100°C)	7 bar/60°C (2bar/100°C)	7 bar/60°C (2bar/100°C)	7 bar/60°C (2bar/100°C)	7 bar/60°C (2bar/100°C)	7 bar/60°C (2bar/100°C)	7 bar/60°C (2bar/100°C)
Body	PVDF	PVDF	PVDF	PVDF	PVDF	PVDF	PVDF	PVDF
Electrodes	SS	SS	SS	SS	SS	SS	SS	SS
Diameter	R 3/4"	R 3/4"	R 3/4"	R 3/4"	R 3/4"	R 3/4"	R 3/4"	R 3/4"
Cable Length	5 m	5 m	5 m	5 m	5 m	5 m	5 m	5 m
Temperature Compensated	N/A	N/A	N/A	NTC	NTC	PT100	PT100	PT100

	ECDIM/1	ECDIM/01	ECDICM/1	ECDICM/01	ECDICMPT/1	ECDICMPT/01
Working Range	0÷5 ms	0÷200 µS	0÷5 ms	0÷200 µS	0÷5 ms	0÷200 µS
"K" Factor	1	0.1	1	0.1	1	0.1
Max pressure Max temperature	7 bar/60°C (2bar/100°C)	7 bar/60°C (2bar/100°C)	7 bar/60°C (2bar/100°C)	7 bar/60°C (2bar/100°C)	7 bar/60°C (2bar/100°C)	7 bar/60°C (2bar/100°C)
Body	PVDF	PVDF	PVDF	PVDF	PVDF	PVDF
Electrodes	SS	SS	SS	SS	SS	SS
Diameter	R 1/2"	R 1/2"	R 1/2"	R 1/2"	R 1/2"	R 1/2"
Cable Length	5 mt	5 mt	5 mt	5 mt	5 mt	5 mt
Temperature Compensated	N/A	N/A	NTC	NTC	PT100	PT100

COMPENSATOR	C A B L E S		SECTION
N/A	RED	ELECTRODE	4 x 0.14
	BLACK		
	GROUND	GROUND	

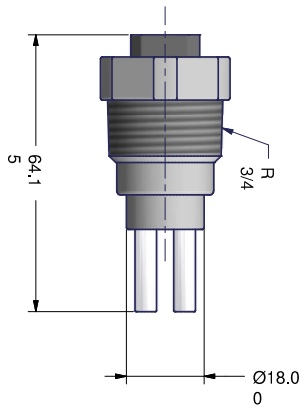
NTC 10K	RED	ELECTRODE	4 x 0.14
	BLACK		
	WHITE	NTC 10K	
	GREEN		

PT 100	RED	ELECTRODE	2 x 0.50
	BLACK		
	BLUE	GROUND	4 x 0.22
	GREEN		
	BROWN		
YELL. - WHITE			

CONDUCTIVITY PROBES

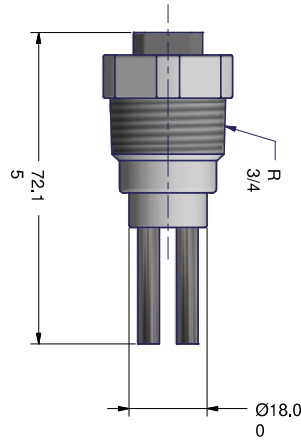
SS ELECTRODES

Data Sheet



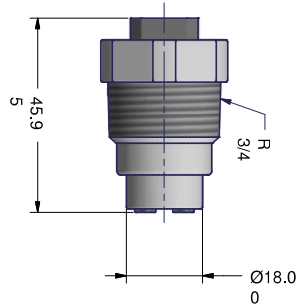
ECDI/0,2

ECDIC
ECDICPT



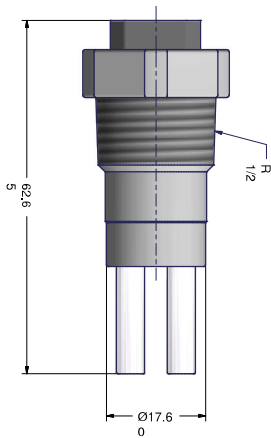
ECDI/0,1

ECDIC
ECDICPT



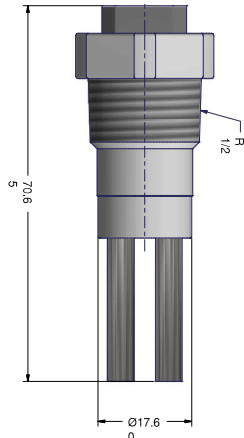
ECDI/1

ECDIC
ECDICPT



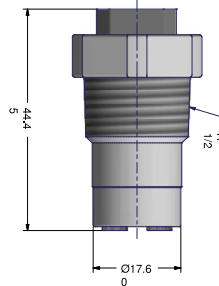
ECDIM/0,2

ECDICM
ECDICPTM



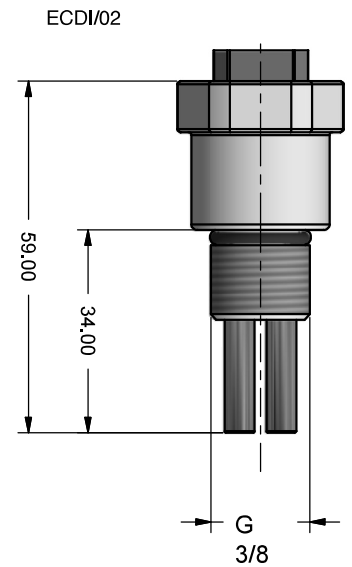
ECDIM/0,1

ECDICM
ECDICPTM



ECDIM/1

ECDICM
ECDICPTM



ECDI/02