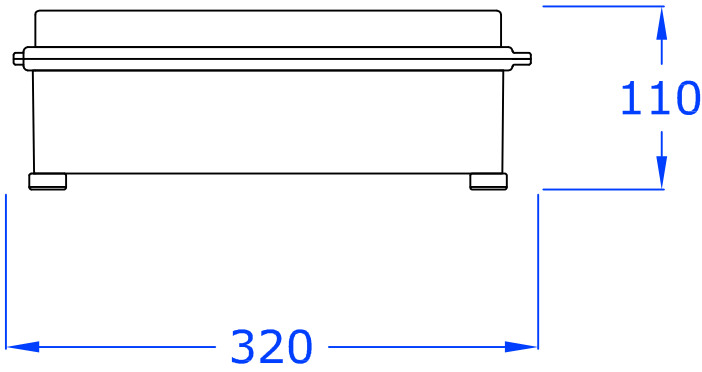


A B C D E F G H

1

1

TOP VIEW



2

2

3

3

4

4

5

5

6

6

7

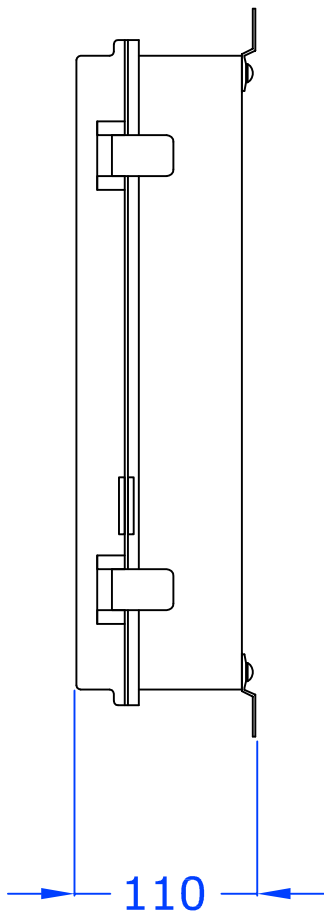
7

8

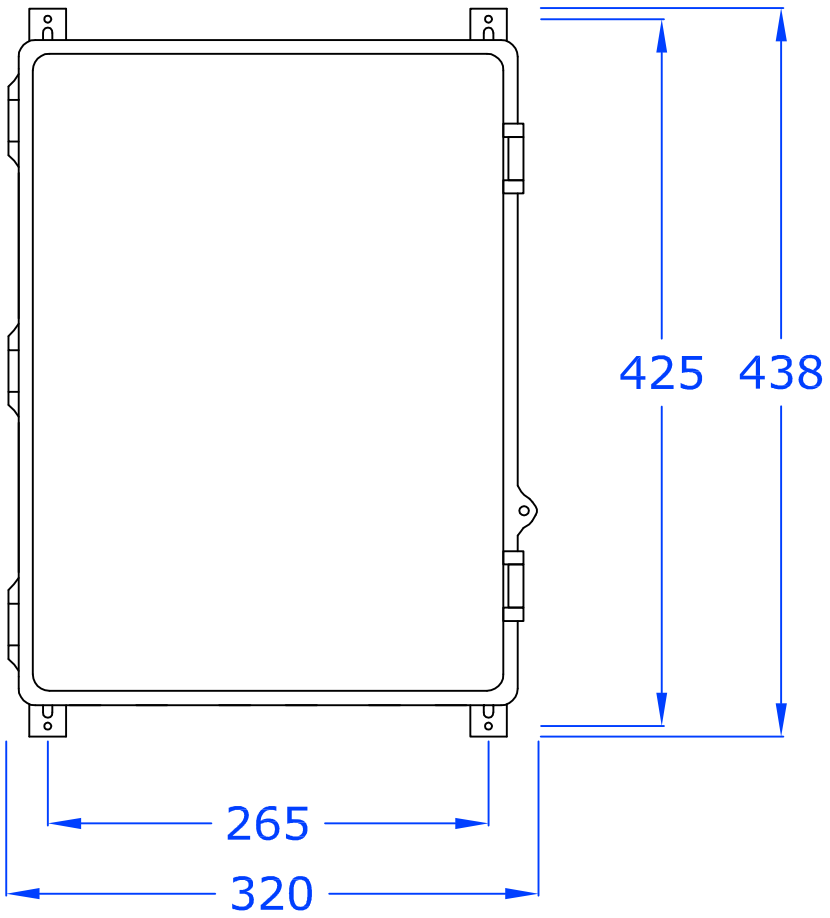
8

9

9



SIDE VIEW



FRONT VIEW

10

10

11

11

Title Dimensional Diagram	
Project / Part Number NE-AG-2939-S	Ver 1.0
Client CONVERGENT WATER CONTROLS	Drawing No DRAWING NO



**Convergent
Water
Controls**

Ver	Date	Notes	By	Check
1.0	27/01/09	ORIGINAL	LF	LN

Filename \\FILENAME	
Drawn By LF	Date 27/01/09
Checked By LN	Date 27/01/09
Scale N/A	

DIMENSIONS ARE IN MM DO NOT SCALE	
--------------------------------------	--

THIS DRAWING IS COPYRIGHT AND THE PROPERTY OF CONVERGENT WATER CONTROLS PTY LTD ABN 58 082 819 734. IT IS SUBJECT TO THEIR RECALL AND MAY NOT BE REPRODUCED OR ITS CONTENTS DIVULGED WITHOUT WRITTEN AUTHORITY.

A B C D E F G H

12

12