
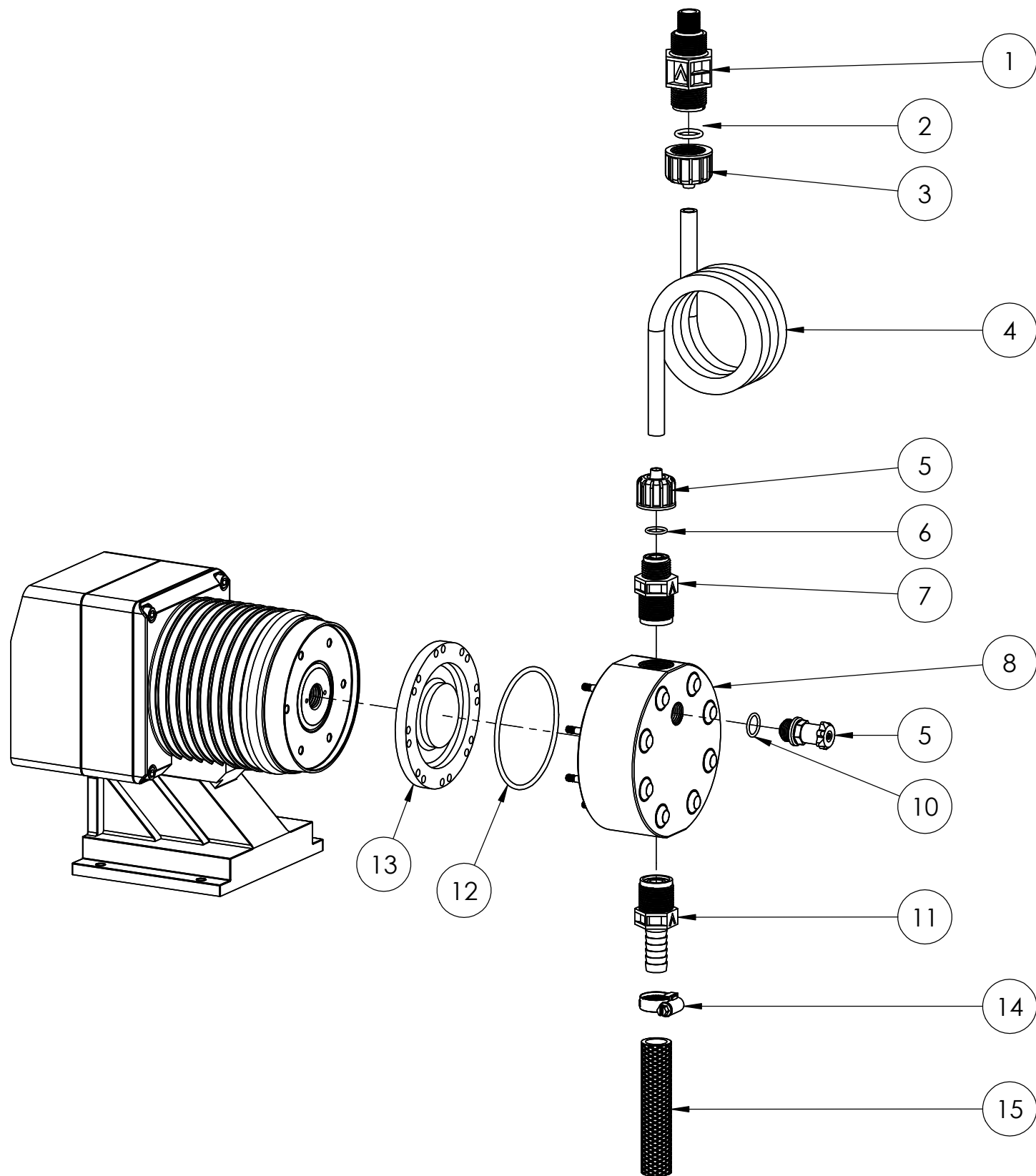


ITEM NO.	PART NUMBER	DESCRIPTION
1	EMEC 073.4679.1	Injection valve 3/4" 8x12 FP. Includes tube connection kit and O-ring
2	EMEC 026.0371.0	O-ring Viton for 3/4" valve
3	EMEC 110.1098.1	Tube connection kit PVDF (3/4" Female thread, for 8x12 tube)
4	EMEC 059.0612.0	Delivery tubing Black (12mm OD/8mm ID)
5	EMEC 110.1102.1	Tube connection kit PVDF (1/2" Female thread, for 8x12 tube)
6	EMEC 026.0150.0	O-ring Viton for 1/2" valve
7	EMEC 025.0043.1	Delivery valve kit (Includes tube connection kit, ball, seat and spring)
8	EMEC 020.1987.1	Pump Head T for AMS 02 60 LPV PMMA + FP + SS 16x22 and 8x12
9	EMEC 025.0705.1	Head priming valve
10	EMEC 026.0409.0	O-ring viton
11	EMEC 025.1001.1	Suction valve kit (Includes ball, seat, spring and hose clamp)
12	EMEC 026.0117.0	Head O-ring Viton
13	EMEC 018.0045.0	Teflon Diaphragm
14	PPS 399 0448	22-32mm SS Hose Clamp
15	FHS P-SIL-012-001	Hose PVC Braided, 12.5mm ID, per metre
	EMEC 002.3103.1T	Replacement circuit board for AMSPLUS
	EMEC 002.3226.T	Replacement circuit board for AMSCOPLUS

COMPATIBLE MODELS	
EMEC AMSCOPLUS 02 60 LPV FP	EMEC AMSPLUS 02 60 LPV FP

	PRODUCT: EMEC AMSPLUS 02 60 LPV FP	Revision 2
	DRAWING TYPE: Spare Parts	SHEET SIZE A3
DRAWING No: EMEC AMSPLUS 02 60 LPV FP_ASM	SHEET 1 OF 1	
DATE: 5/11/2025 Details: Release Information ISSUED BY: APPROVED BY: LF	COPYRIGHT: The designs, concepts & specifications within this drawing are the property of Convergent Water Controls Pty Ltd. They must not be copied or reproduced wholly or in part without written consent from Convergent Water Controls Pty Ltd.	SCALE 1:4
FILE: C:\CWC\Library\Products From Suppliers\EMEC\Pumps\A-Series\EMEC A Series Pump	MATERIAL: Misc	MASS: 3001.93 grams



ITEM NO.	PART NUMBER	DESCRIPTION
1	EMEC 073.4679.1	Injection valve 3/4" 8x12 FP. Includes tube connection kit and O-ring
2	EMEC 026.0371.0	O-ring Viton for 3/4" valve
3	EMEC 110.1098.1	Tube connection kit PVDF (3/4" Female thread, for 8x12 tube)
4	EMEC 059.0612.0	Delivery tubing Black (12mm OD/8mm ID)
5	EMEC 110.1102.1	Tube connection kit PVDF (1/2" Female thread, for 8x12 tube)
6	EMEC 026.0150.0	O-ring Viton for 1/2" valve
7	EMEC 025.0043.1	Delivery valve kit (Includes tube connection kit, ball, seat and spring)
8	EMEC 020.1987.1	Pump Head T for AMS 02 60 LPV PMMA + FP + SS 16x22 and 8x12
9	EMEC 025.0705.1	Head priming valve
10	EMEC 026.0409.0	O-ring viton
11	EMEC 025.1001.1	Suction valve kit (Includes ball, seat, spring and hose clamp)
12	EMEC 026.0117.0	Head O-ring Viton
13	EMEC 018.0045.0	Teflon Diaphragm
14	PPS 399 0448	22-32mm SS Hose Clamp
15	FHS P-SIL-012-001	Hose PVC Braided, 12.5mm ID, per metre
	EMEC 002.3103.1T	Replacement circuit board for AMSPLUS
	EMEC 002.3226.T	Replacement circuit board for AMSCOPLUS

COMPATIBLE MODELS	
EMEC AMSCOPLUS 02 60 LPV FP	EMEC AMSPLUS 02 60 LPV FP

	PRODUCT: EMEC AMSPLUS 02 60 LPV FP	Revision 2								
	DRAWING TYPE: Spare Parts - Wireframe	SHEET SIZE A3								
DRAWING No: EMEC AMSPLUS 02 60 LPV FP_ASM	<table border="1"> <tr> <th>DATE</th> <th>Details</th> <th>ISSUED BY</th> <th>APPROVED BY</th> </tr> <tr> <td>5/11/2025</td> <td>Release Information</td> <td></td> <td>LF</td> </tr> </table>	DATE	Details	ISSUED BY	APPROVED BY	5/11/2025	Release Information		LF	SHEET 1 OF 1
DATE	Details	ISSUED BY	APPROVED BY							
5/11/2025	Release Information		LF							
NOTE Only use written dimensions. Dimensions are in Millimeters unless otherwise specified. Do not scale. If in doubt consult with Convergent Water Controls	COPYRIGHT The designs, concepts & specifications within this drawing are the property of Convergent Water Controls Pty Ltd. They must not be copied or reproduced wholly or in part without written consent from Convergent Water Controls Pty Ltd.	SCALE 1:4								
FILE: C:\CWC\Library\Products From Suppliers\EMEC\Pumps\A-Series\EMEC A Series Pump	MASS: 3001.93 grams									